

PBS

zone 1

zone 2

Ex db IIC Gb



zone 21

zone 22

Ex tb IIIC Db



EMERGENCY PUSH-BUTTON WITH GLASS PROTECTION

T6

T5

T4



PULSANTE DI EMERGENZA CON VETRO DI PROTEZIONE

85°C

100°C

135°C



IP66

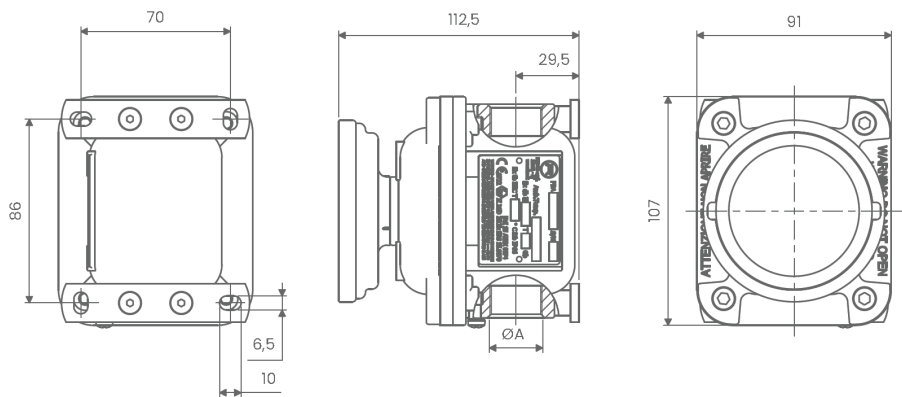


Caratteristiche: Custodia in INOX 316. Viti di acciaio inox - guarnizioni al silicone. Grado di protezione meccanica IP66.

Features: Enclosure STAINLESS STEEL 316. Stainless screws - silicon gaskets. O-Ring gasket for waterproof protection IP66.

PBA (E0) PBA (E0G)	1 NC + 1 NO 1 NC + 1 NO	Emergency pushbutton station with breaking glass. Automatic release of the pushbutton. Emergency pushbutton station with breaking glass and steel protection guard. Automatic release of the pushbutton.
PBA (E0L) PBA (E0LG)	1 NC + 1 NO 1 NC + 1 NO	Emergency lighting pushbutton station with breaking glass. Automatic release of the pushbutton. Emergency lighting pushbutton station with breaking glass and steel protection guard. Automatic release of the pushbutton.
PBA (E1) PBA (E1G)	1 NO + 1 NC 1 NC + 1 NO	Emergency pushbutton station with breaking glass. Manual activation of the pushbutton. Emergency pushbutton station with breaking glass and stainless steel protection guard. Manual activation of the pushbutton.
PBA (E1L) PBA (E1LG)	1 NC + 1 NO 1 NC + 1 NO	Emergency lighting pushbutton station with breaking glass. Manual activation of the pushbutton. Emergency lighting pushbutton station with breaking glass and steel protection guard. Manual activation of the pushbutton.

Specifica tecnica / Technical specification	
Tensione / Voltage max	690VAC - 440VDC
Corrente / Rated current	10A
Protezione / Protection	IP66
Materiale / Material	STAINLESS STEEL 316
Colore / Color	RED RAL 3000
Peso / Weight	0,5 Kg
Imbocchi / Cable entry	2 x 3/4" or 2 x M25
Dimensioni / Dimensions	See detail



PBS (E0)



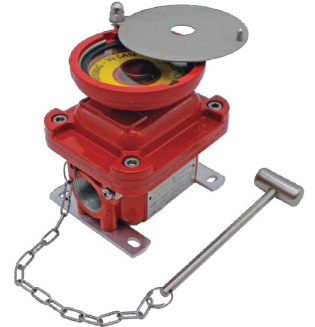
PBS (E0G)



PBS (E0L)



PBS (E0LG)



PBS (E1)



PBS (E1G)



PBS (E1L)



PBS (E1LG)

