

EXPLOSION PROOF EQUIPMENT

Pushbutton and control station

Hyroma mec

K



Pushbutton and control station series KCS are available in three different sizes depending on the number of units they can contain.

Suitable for classified hazardous area Zone 1 & Zone 2 & mines.

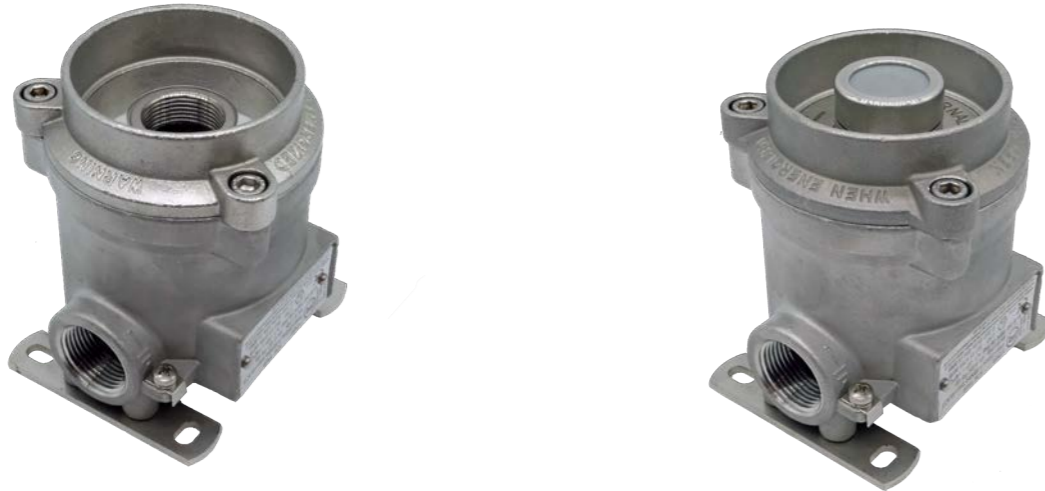
Standard material is Stainless Steel AISI 316L without any external coating. They have excellent mechanical and corrosion resistance.

Certified also for mines group I M2.

KCS 21 / 251

Pushbutton and control station with one unit.

The equipment can install different type of units like pushbutton or signalling units



Features

Material used: Stainless steel AISI 316L

Max Amb. Temperature: from -50°C up to 80°C

NPT thread: 3/4" NPT

ISO 262 thread: M25x1.5

Degree of protection: IP66

External painting: no painting

Max rated voltage: 230Vac

AC1 max current value: 10A

Cable section: 1,5 ÷ 2,5 mmq

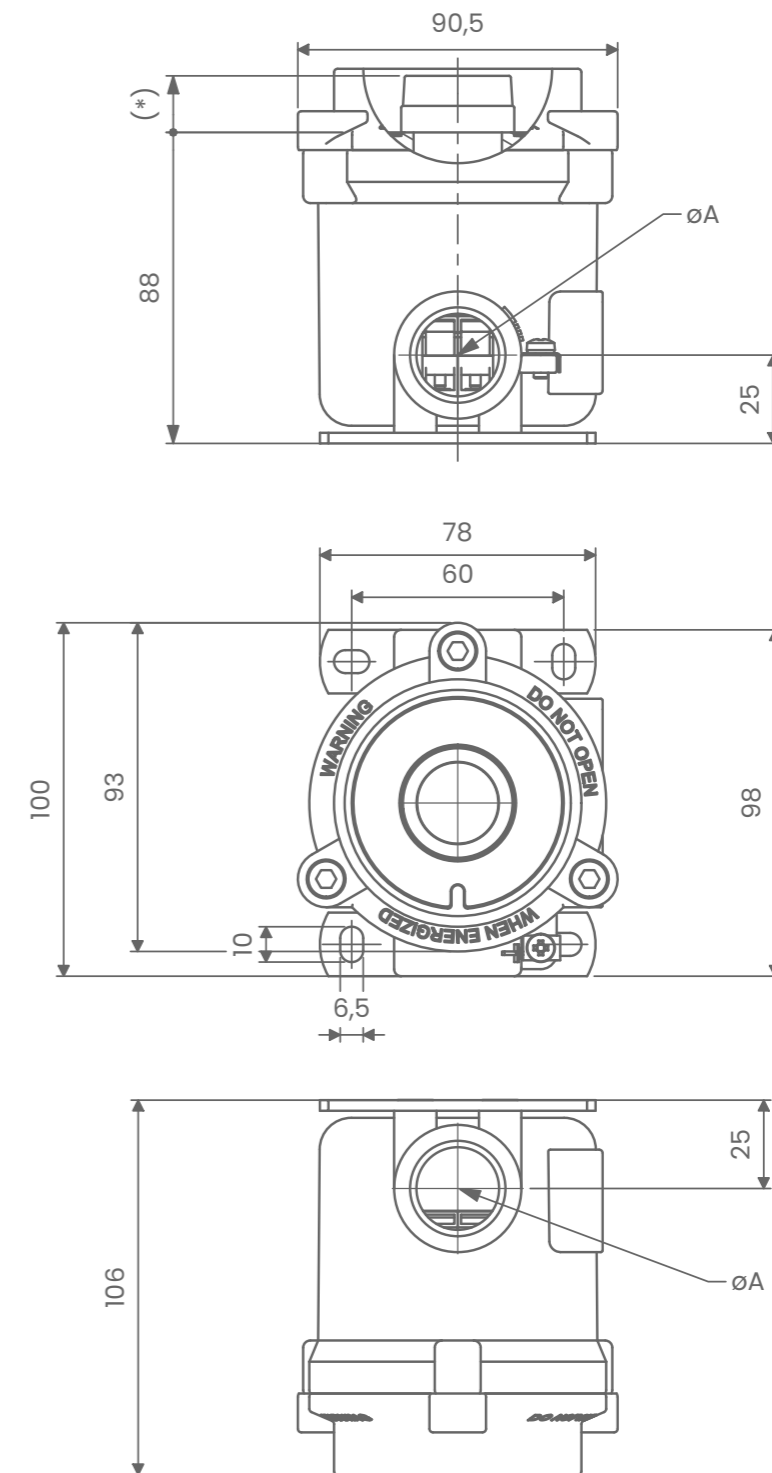
Nominal frequency: 50/60Hz

ATEX & IECEx Equipment Data

Gas	Group I Zone 1	Ex d I Mb, Ex d IIC T6 Gb
Dust	Group II Zone 21	Ex tb IIIC T 85°C Db IP66 Tamb: -20°C ÷ +40°C

ATEX Certificate

IECEx Certificate



Code

ØA

KCS251

M25x1.5 - 6H

KCS21

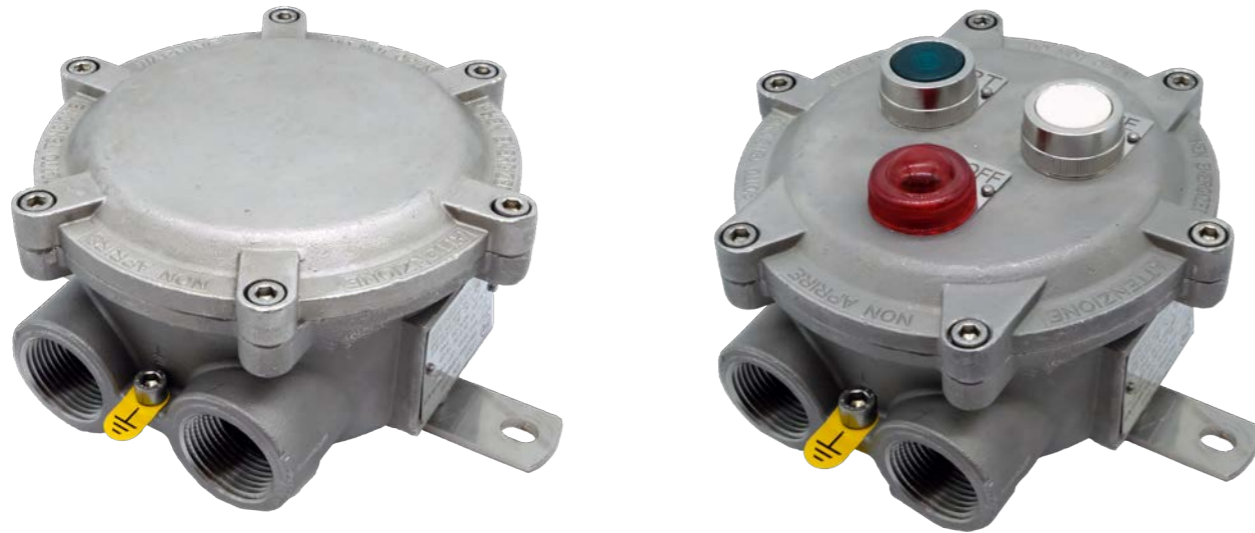
3/4" NPT

(*) Length of unit may vary

KCS 23 / 33 / 253 / 323

Pushbutton and control station up to four command or signal unit.

The equipment can install different type of units like pushbutton or signalling units



Features

Material used: Stainless steel AISI 316L

Max Amb. Temperature: from -50°C up to 80°C

NPT thread: 3/4" or 1"

ISO 262 thread: M25x1.5 or M32x1.5

Degree of protection: IP66

External painting: no painting

Max rated voltage: 690Vac (only for ROTARY SWITCH)

Max rated voltage: 230Vac

AC1 max current value: 20A (only for ROTARY SWITCH)

AC1 max current value: 10A

Cable section: 1,5 ÷ 2,5 mmq

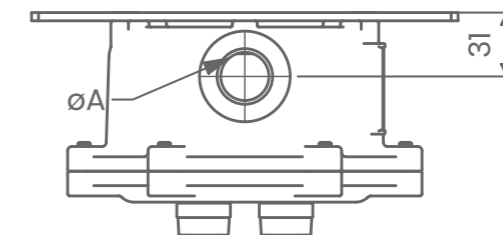
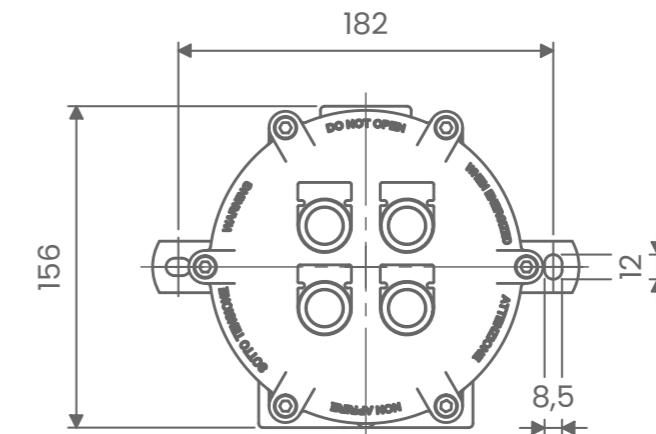
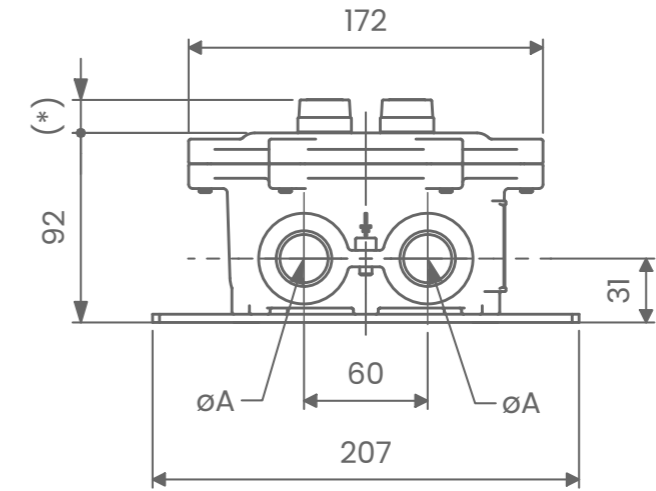
Nominal frequency: 50/60Hz

ATEX & IECEx Equipment Data

Gas	Group I Zone 1	Ex d I Mb, Ex d IIC T6 Gb
Dust	Group II Zone 21	Ex tb IIIC T 85°C Db IP66 Tamb: -20°C ÷ +40°C

ATEX Certificate

IECEx Certificate



(*) Length of unit may vary

Code	ØA
KCS23	3/4" NPT
KCS33	1" NPT
KCS253	M25x1.5 - 6H
KCS323	M32x1.5 - 6H

KCS 23A / 33A / 253A / 323A

Pushbutton and control station up to two command or signal unit.

The equipment can install different type of units like pushbutton or signalling units



Features

Material used: Stainless steel AISI 316L

Max Amb. Temperature: from -50°C up to 80°C

NPT thread: 3/4" or 1"

ISO 262 thread: M25x1.5 or M32x1.5

Degree of protection: IP66

External painting: no painting

Max rated voltage: 690Vac (only for ROTARY SWITCH)

Max rated voltage: 230Vac

AC1 max current value: 20A (only for ROTARY SWITCH)

AC1 max current value: 10A

Cable section: 1,5 ÷ 2,5 mmq

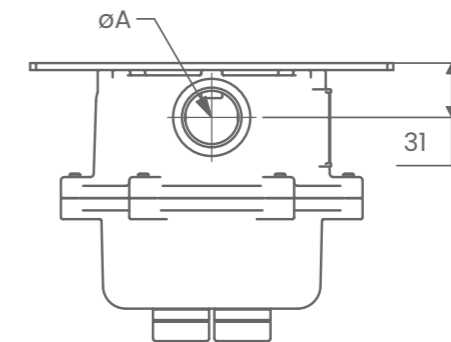
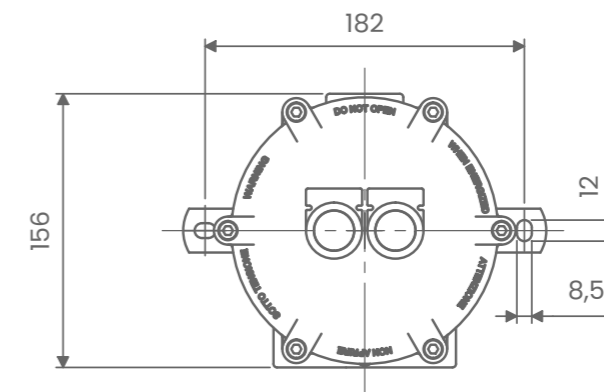
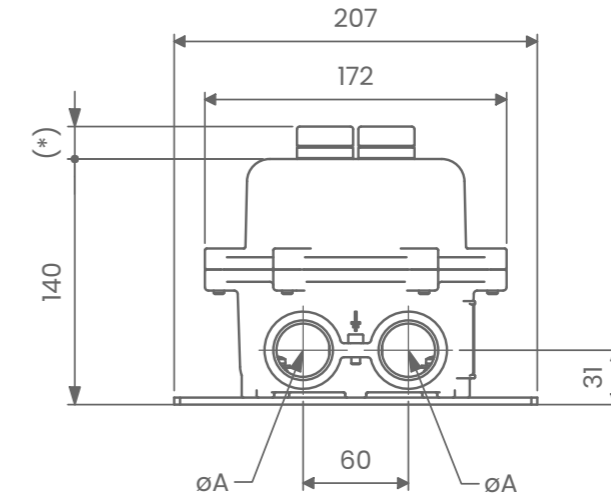
Nominal frequency: 50/60Hz

ATEX & IECEx Equipment Data

Gas	Group I Zone 1	Ex d I Mb, Ex d IIC T6 Gb
Dust	Group II Zone 21	Ex tb IIIC T 85°C Db IP66 Tamb: -20°C ÷ +40°C

ATEX Certificate

IECEx Certificate



(*) Length of unit may vary

Code

ØA

KCS23A

3/4" NPT

KCS33A

1" NPT

KCS253A

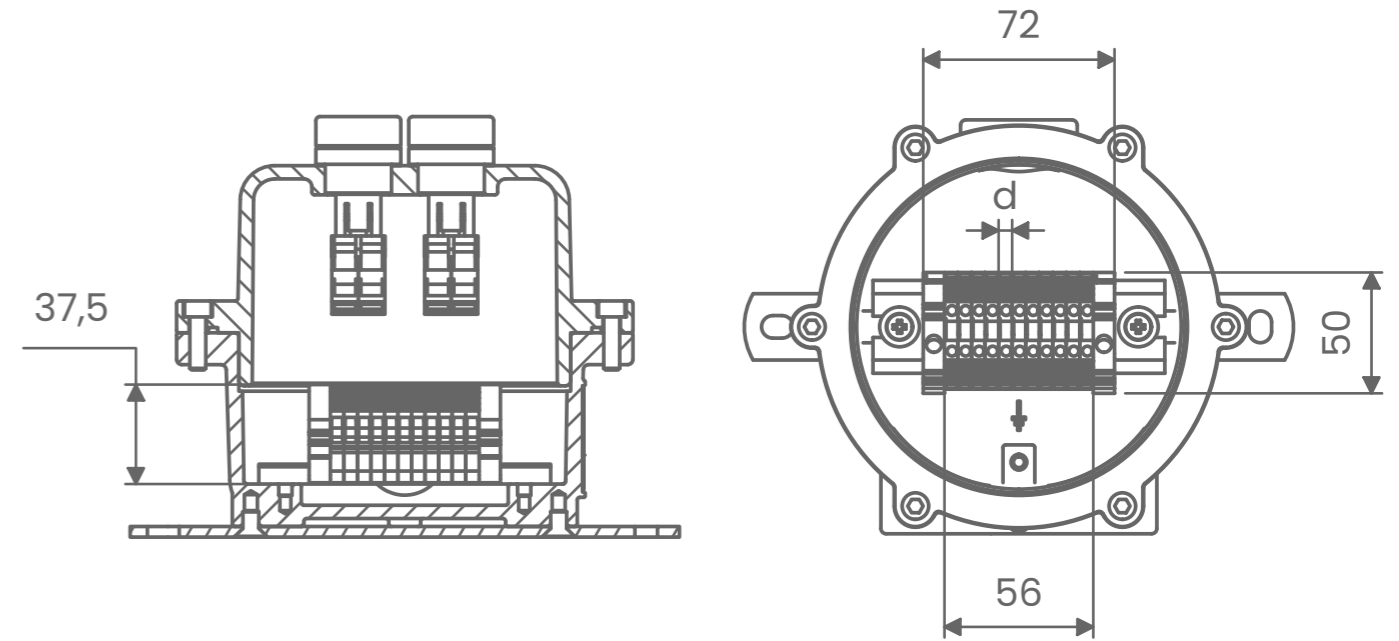
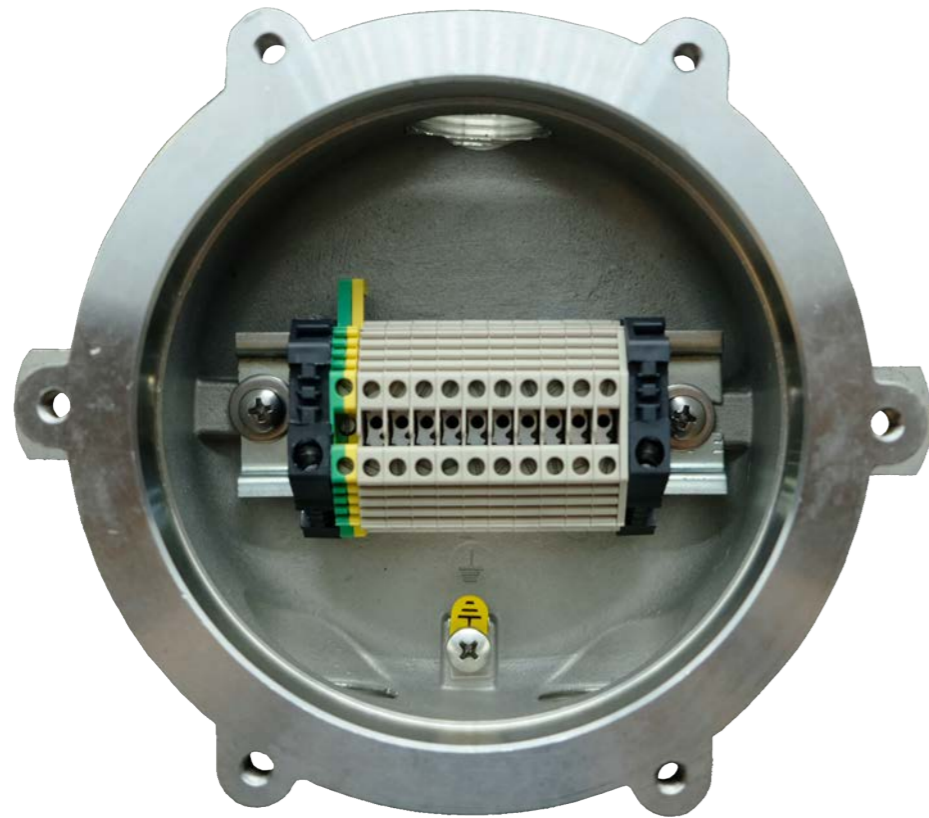
M25x1.5 - 6H

KCS323A

M32x1.5 - 6H

KCS 23A / 33A / 253A / 323A

- Possibility to include also Terminal strips
- Terminal strip compact version WDU brand Weidmuller or equivalent



TERMINAL BLOCK suitable for KCS size 3A

Code	Description	Cross section	Vmax	I _{max}	d	Max q.ty
WDU2.5N	Feed-through terminal block 2,5 mmq	1,5 ÷ 2,5	230V	10A	5,1	11
WDU4N	Feed-through terminal block 4 mmq	1,5 ÷ 4	230V	10A	6,1	9
WPE2.5N	Modular PE terminal block 2,5 mmq	1,5 ÷ 2,5	230V	NA	5,1	11
WPE4N	Modular PE terminal block 4 mmq	1,5 ÷ 4	230V	NA	6,1	9