

ETH20MD/4/32 104 Db 1 mt.

Ex db IIB+H2 Gb Ex tb IIC Db II2GD
or
Ex db IIC Gb Ex tb IIC Db II2GD

T5
T100°C



-20°C



+40°C

SOUNDER/HORNS EXPLOSION PROOF
32 TONE SELECTABLE

zone 1

zone 2

DIRECTIVE 2014/34/UE

T6
T85°C



-20°C

SIRENA ELETTRONICA ANTIDEFLAGRANTE
32 SUONI SELEZIONABILI

zone 21

zone 22



IP66



+60°C

Caratteristiche:

Sirena elettronica a basso consumo energetico. Certificato ATEX a nuova normativa EN60079. I segnalatori acustici serie ETH sono impiegati in ambienti dove è necessario l'utilizzo di una segnalazione di allarme e dove è presente una potenziale atmosfera esplosiva. Le sirene serie ETH sono multifunzione e permettono di avvisare in caso di pericolo e in caso di evacuazione per la presenza di un incendio grazie a 32 differenti suoni selezionabili

Features:

Electronic Sounder low current consumption built. Certification ATEX with new standard EN60079. ETH series sirens are used in environments where a warning system is needed and where the atmosphere is potentially explosive. ETH sirens are multi-functional. The 32 different types of sound can be programmed to provide warning in the event of danger or evacuation in the case of fire.

Materiali:

Costruita in alluminio a basso contenuto di rame, provvista di circuito elettronico di modulazione ed unità di risonanza. Il suono è amplificato da una tromba esterna di tipo esponenziale in alluminio (a richiesta ACCIAIO INOX 316).

Materials:

Built in low copper content aluminium alloy, supplied with electronic modular circuit and resonance unit. The sound is amplified by an external exponential aluminium trumpet (on request STAINLESS STEEL 316).

EN 60079-0 :2012/A11:2013 EN 60079-1 :2014 EN 60079-31 :2014
NEW DIRECTIVE 2014/34/UE



PESO / WEIGHT
3.8Kg

PROTEZIONE / PROTECTION
IP66

MONTAGGIO / MOUNTING
**STAFFA DI FISSAGGIO
MOUNTING BRACKET**

SERVIZIO / SERVICE
**CONTINUO
CONTINUOUS**

ACCESSORI
A RICHIESTA

ACCESSORIES
ON REQUEST

**32 SUONI SELEZIONABILI
32 TONE SELECTABLE**

No. of stages 3

Includes an integral volume control which is ideal when a lower output is required.

Controllo del volume integrato che è l'ideale quando è richiesta una potenza inferiore.

STAFFA DI FISSAGGIO
ACCIAIO INOX 316

MOUNTING BRACKET
STAINLESS STEEL 316

TROMBA ESTERNA
ACCIAIO INOX 316

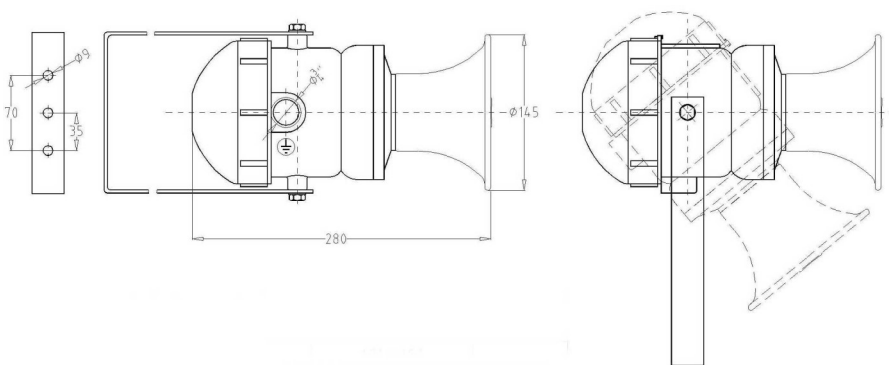
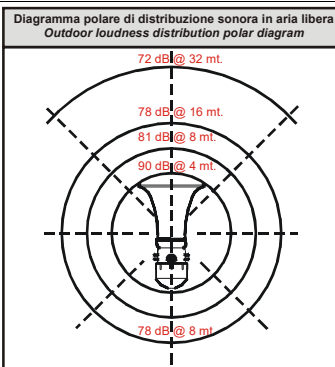
TRUMPET EXTERNAL
STAINLESS STEEL 316

VERNICIATURA EPOSSIDICA
GIALLO - BLU
GRIGIO - NERO

EPOXY COATING
YELLOW - BLUE
GREY - BLACK

Specifica tecnica / Technical specification

| CODICE / CODE: 32 | ETH20MD/4/24 | ETH20MD/4/48AC | ETH20MD/4/48DC | ETH20MD/4/115AC | ETH20MD/4/115DC | ETH20MD/4/230 |
|--|--|----------------|----------------|-------------------------|-----------------|---------------|
| Tensione / Voltage | 24VAC/DC | 48VAC | 48VDC | 115VAC | 115VDC | 230VAC |
| Corrente / Rated current | 0,220A a 24V AC/DC | | | | | |
| Temperatura ambiente / Working temperature | T6: -20°C (-40°C) +40°C | | | T5: -20°C (-40°C) +60°C | | |
| Colore / Color | EPOXY COATING RED RAL3000 - OTHER COLOR ON REQUEST | | | | | |
| Livello sonoro / Sound power | 104 dB - 1 mt | | | | | |
| Imbocco / Cable entry | 3/4" | | | | | |
| Dimensioni / Dimensions | Vedere dettagli / See detail | | | | | |



Tone N°

DIP SWITCH

DIP1 DIP2 DIP3 DIP4 DIP5

| Tone N° | DIP1 | DIP2 | DIP3 | DIP4 | DIP5 |
|---------|------|------|------|------|------|
| 1 | 0 | 0 | 0 | 0 | 0 |
| 2 | 1 | 0 | 0 | 0 | 0 |
| 3 | 0 | 1 | 0 | 0 | 0 |
| 4 | 1 | 1 | 0 | 0 | 0 |
| 5 | 0 | 0 | 1 | 0 | 0 |
| 6 | 1 | 0 | 1 | 0 | 0 |
| 7 | 0 | 1 | 1 | 0 | 0 |
| 8 | 1 | 1 | 1 | 0 | 0 |
| 9 | 0 | 0 | 0 | 1 | 0 |
| 10 | 1 | 0 | 0 | 1 | 0 |
| 11 | 0 | 1 | 0 | 1 | 0 |
| 12 | 1 | 1 | 0 | 1 | 0 |
| 13 | 0 | 0 | 1 | 1 | 0 |
| 14 | 1 | 0 | 1 | 1 | 0 |
| 15 | 0 | 1 | 1 | 1 | 0 |
| 16 | 1 | 1 | 1 | 1 | 0 |
| 17 | 0 | 0 | 0 | 0 | 1 |
| 18 | 1 | 0 | 0 | 0 | 1 |
| 19 | 0 | 1 | 0 | 0 | 1 |
| 20 | 1 | 1 | 0 | 0 | 1 |
| 21 | 0 | 0 | 1 | 0 | 1 |
| 22 | 1 | 0 | 1 | 0 | 1 |
| 23 | 0 | 1 | 1 | 0 | 1 |
| 24 | 1 | 1 | 1 | 0 | 1 |
| 25 | 0 | 0 | 0 | 1 | 1 |
| 26 | 1 | 0 | 0 | 1 | 1 |
| 27 | 0 | 1 | 0 | 1 | 1 |
| 28 | 1 | 1 | 0 | 1 | 1 |
| 29 | 0 | 0 | 1 | 1 | 1 |
| 30 | 1 | 0 | 1 | 1 | 1 |
| 31 | 0 | 1 | 1 | 1 | 1 |
| 32 | 1 | 1 | 1 | 1 | 1 |

TABELLA TONI TONE TABLE

STAGE 1

Description

| Tone | Description |
|------|--|
| T 1 | Continuous 1000Hz Toxic Gas Alarm |
| T 2 | Alternating 800/1000Hz at 0.25s intervals |
| T 3 | Slow Whoop 500/12 00Hz at 0.3Hz with 0.5s gap repeated |
| T 4 | Sweeping 800/1000 at 1Hz |
| T 5 | Continuous at 2400Hz |
| T 6 | Sweeping 2400/2900Hz at 7Hz |
| T 7 | Sweeping 2400/2900Hz at 1Hz |
| T 8 | Siren 500/1200/500Hz at 0.3Hz |
| T 9 | Sawtooth 1200/500Hz at 1Hz |
| T 10 | Alternating 2400/2 900Hz at 2 Hz |
| T 11 | Intermittent 1000Hz at 0.5Hz General alarm |
| T 12 | Alternating 800/1000Hz at 0.875Hz |
| T 13 | Intermittent 2400Hz at 1Hz |
| T 14 | Intermittent 800Hz 0.25s on 1s off |
| T 15 | Continuous at 800Hz |
| T 16 | Intermittent 660Hz 150mS on, 150mS off |
| T 17 | Alternating 544Hz (100mS)/440Hz(400mS) |
| T 18 | Intermittent 660Hz 1.8s on, 1.8s off |
| T 19 | 1400Hz to 1600Hz sweep up over 1s |
| T 20 | 1600Hz to 1400Hz sweep down over 0,5s |
| T 20 | Continuous 660Hz |
| T 21 | Alternating 554/440Hz at 1Hz |
| T 22 | Intermittent 554Hz at 0.875Hz |
| T 23 | 800Hz pulsing at 2 Hz |
| T 24 | Sweeping 800/1000Hz at 50Hz |
| T 25 | Sweeping 2400/2900Hz at 50Hz |
| T 26 | Simulated bell sound |
| T 27 | Continuous 554Hz |
| T 28 | Continuous 440Hz |
| T 29 | Sweeping 800/1000Hz at 7Hz |
| T 30 | 420Hz repeating 0.62 5s on, 0.625s off Australian alert signal |
| T 31 | 1200/500Hz at 1 Hz Prepare to Abandon Platform |
| T 32 | Sweeping 500/1200Hz 3.75s on, 0.25s off 15Hz |

STAGE 2

STAGE 3

| Tone | Description |
|------|--|
| T 31 | Continuous 1000Hz Toxic Gas Alarm |
| T 17 | Alternating 800/1000Hz at 0.25s intervals |
| T 2 | Slow Whoop 500/12 00Hz at 0.3Hz with 0.5s gap repeated |
| T 6 | Sweeping 800/1000 at 1Hz |
| T 3 | Continuous at 2400Hz |
| T 7 | Sweeping 2400/2900Hz at 7Hz |
| T 10 | Sweeping 2400/2900Hz at 1Hz |
| T 2 | Siren 500/1200/500Hz at 0.3Hz |
| T 15 | Sawtooth 1200/500Hz at 1Hz |
| T 7 | Alternating 2400/2 900Hz at 2 Hz |
| T 31 | Intermittent 1000Hz at 0.5Hz General alarm |
| T 4 | Alternating 800/1000Hz at 0.875Hz |
| T 15 | Intermittent 2400Hz at 1Hz |
| T 4 | Intermittent 800Hz 0.25s on 1s off |
| T 2 | Continuous at 800Hz |
| T 18 | Intermittent 660Hz 150mS on, 150mS off |
| T 2 | Alternating 544Hz (100mS)/440Hz(400mS) |
| T 2 | Intermittent 660Hz 1.8s on, 1.8s off |
| T 5 | 1400Hz to 1600Hz sweep up over 1s |
| T 5 | 1600Hz to 1400Hz sweep down over 0,5s |
| T 5 | Continuous 660Hz |
| T 5 | Alternating 554/440Hz at 1Hz |
| T 5 | Intermittent 554Hz at 0.875Hz |
| T 5 | 800Hz pulsing at 2 Hz |
| T 5 | Sweeping 800/1000Hz at 50Hz |
| T 5 | Sweeping 2400/2900Hz at 50Hz |
| T 1 | Simulated bell sound |
| T 5 | Continuous 554Hz |
| T 5 | Continuous 440Hz |
| T 5 | Sweeping 800/1000Hz at 7Hz |
| T 5 | 420Hz repeating 0.62 5s on, 0.625s off Australian alert signal |
| T 1 | 1200/500Hz at 1 Hz Prepare to Abandon Platform |
| T 1 | Sweeping 500/1200Hz 3.75s on, 0.25s off 15Hz |