

EVA50SS/FLASH 16J
EVC50SS/FLASH 16J

zone 1

zone 2

Ex db IIC Gb Ex tb IIIC Db II2GD

T6
T 85°C



zone 21

zone 22

DIRECTIVE 2014/34/UE



LIGHTING FIXTURE
XENON FLASHING LAMP 16J

SEGNALATORE LUMINOSO
LAMPADA XENON 16J

IP66



Stainless Steel 316

Intensità luminosa
Effective Intensity
16J 300Cd

Caratteristiche: Segnalatore luminoso con lampada allo Xenon 16J ad elevato rendimento, sono idonee per la segnalazione ostacoli per camini, ciminiere, fiaccole, campanili, palazzi, gru, ponti, torri radiotelevisive, piloni di teleferiche e linee elettriche, generatori eolici, antenne radar e telecomunicazioni e, nello specifico, per il mondo dell'industria petrolchimica e petrolifera. Certificata INERIS, bassi consumi e durata illimitata. Guarnizione O-RING in silicone per protezione meccanica IP66. Connessione Direttamente al portalampada L, N, Pe. Sez. max. 4mm2.

Features: Lighting fixtures with long-life xenon bulb 16J, are ideal for chimneys, towers, smokestacks, bell towers, buildings, cranes, bridges, radio/television masts, cable car and power line pylons, wind turbines, radar and telecommunication antennas and specifically for use in the petrochemical and oil industries. INERIS certificate, low consumption and high performance. Silicone O-RING gasket for waterproof protection IP66. Connection Direct to lamp holder L, N, Pe. Max section 4mm2.

Materiali: Corpo **STAINLESS STEEL 316**, viteria in stainless steel, Vetro borosilicato resistente agli urti ed alle alte temperature sigillato nella ghiera in alluminio, gabbia in acciaio inox (se richiesta).

Materials: Body **STAINLESS STEEL 316**, stainless steel hardware, Shock and temperature resistant borosilicate glass sealed with aluminium shade ring, stainless steel guard (on request).



stainless Steel
316L



Specifica tecnica / Technical specification						
Tensione / Voltage	12-24 VAC/DC	48 VAC	48 VDC	110 VAC	110 VDC	230 VAC
Corrente / Rated current	~410mA		~90mA		~45mA	
Frequenza / Frequency	50/60HZ					
Assorbimento medio / Power middle	10W~					
Lamp power / Effective Intensity	16J 300Cd					
Flash-minuto / Flash-minut	30 (other to be defined)					
Servizio / Service	Continuo / Continuous					
Colore corpo / Color body	Stainless steel natural / Other color on request					
Imbocchi / Cable entries	EVA50SS 1xM25x1,5 EVC50SSS 2xM25x1,5 EVA50+KIT 1 or 2 or 3xM25					

CODICE ORDINE - CODE ORDER

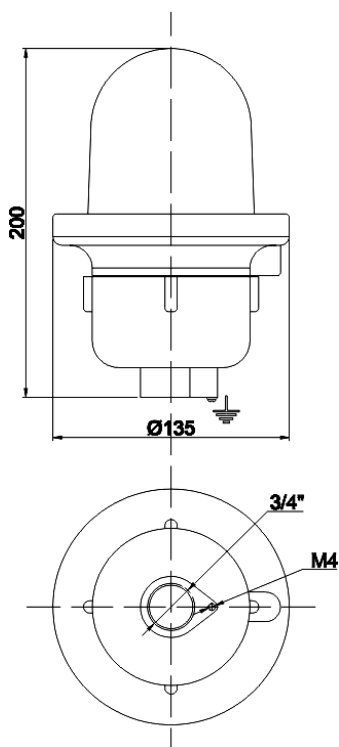
	TIPO LAMPADA TYPE LAMP	TENSIONE VOLTAGE	COLORE GEMME COLORE SIGNALLING LAMP	COLORE CORPO COLOR BODY	EXAMPLE / ESEMPIO
EV... 50SS-16J	(A) EVA (C) EVC (K) EVA+KIT (P) EVC+POLE (W) EVC+WALL	12VAC/DC or 24VAC/DC 48VAC or 48VDC 110VAC or 110VDC 230VAC	(R) Red - (Y) yellow (A) orange - (G) green (BL) blue - (W) white	R) Red - (Y) yellow (A) orange - (G) green (BL) blue - (W) white (N) black	EV-C-50SS-16J-24VDC-R-N EVC50SS-16J VOLTAGE 24VDC COLOR LAMP RED COLORE BODY BLACK EVC50SS-16J TENSIONE 24VDC COLORE GEMMA ROSSA COLORE CORPO NERO



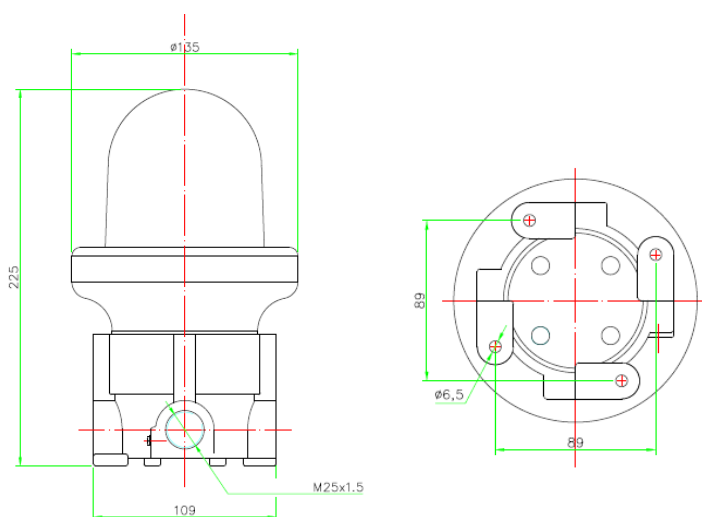
TIPICI DI MONTAGGIO TYPICAL MOUNTING



EVA50SS MONTAGGIO A SOSPENSIONE Suspended mounting



EVC50SS MONTAGGIO A SOFFITTO O PARETE Ceiling and wall mounting



**PER LAMPADE STAINLESS STEEL 316 INGRESSI M25x1,5
FOR BEACON STAINLESS STEEL 316 HUB M25x1,5**

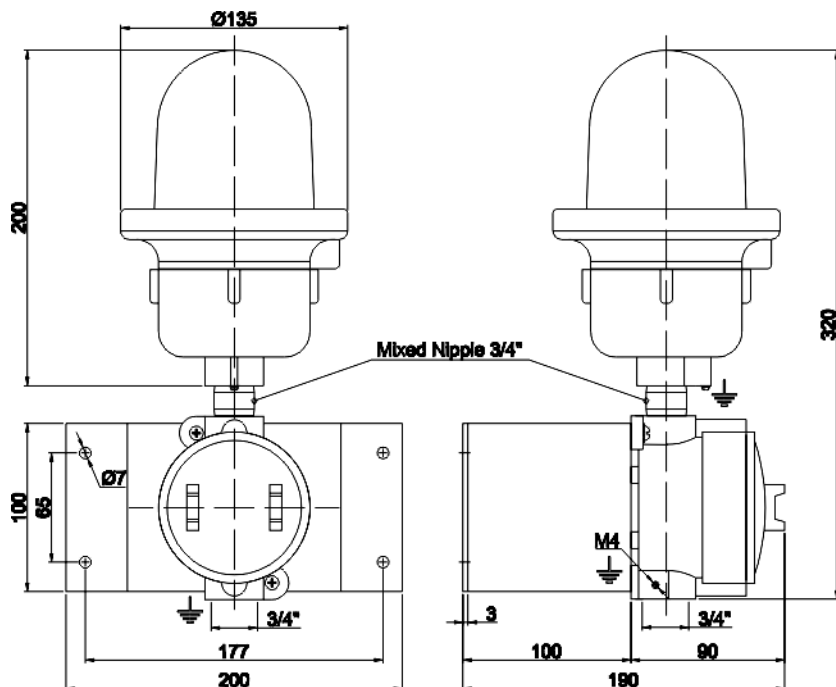


TIPICI DI MONTAGGIO TYPICAL MOUNTING



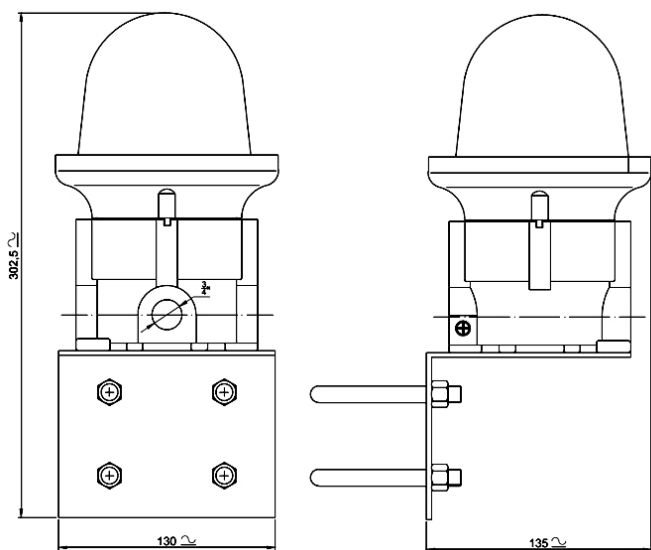
EVA50SS+KIT

KIT MONTAGGIO A PARETE
Kit typical wall mounting



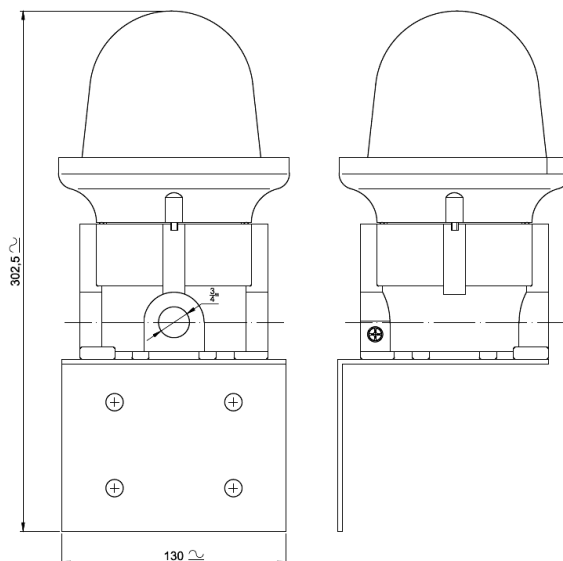
EVC50SS+POLE

KIT MONTAGGIO A PALO
Kit typical pole mounting



EVC50SS+WALL

KIT MONTAGGIO A PARETE
Kit typical wallmounting



**PER LAMPADE STAINLESS STEEL 316 INGRESSI M25x1,5
FOR BEACON STAINLESS STEEL 316 HUB M25x1,5**

