

EVA50SS / EVC50SS MINI LED

zone 1	zone 2	Ex db IIC Gb Ex tb IIIC Db II2GD
zone 21	zone 22	DIRECTIVE 2014/34/UE

T6 T 85°C	-20°C
	+60°C

LIGHTING FIXTURE LAMP
LED FLASH or FIX

SEGNALATORE LUMINOSO LAMPADA
LED FLASH o FISSA

IP66



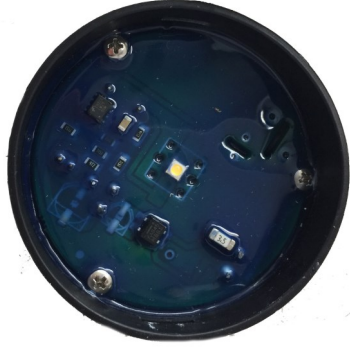
Caratteristiche:	<p>Segnalatore luminoso con lampada LED (FLASH o FISSA) ad elevato rendimento, sono idonee per la segnalazione ostacoli per camini, ciminiere, fiaccole, campanili, palazzi, gru, ponti, torri radiotelevisive, piloni di teleferiche e linee elettriche, generatori eolici, antenne radar e telecomunicazioni e, nello specifico, per il mondo dell'industria petrolchimica e petrolifera.</p> <p>Certificata INERIS, bassi consumi e durata illimitata.</p> <p>Guarnizione O-RING in SILICONE per protezione meccanica IP66.</p> <p>Connessione Direttamente al portalamпада L, N, Pe. Sez. max. 4mm2.</p>
Features:	<p>Lighting fixtures with long-life LED (FLASH or FIX), are ideal for chimneys, towers, smokestacks, bell towers, buildings, cranes, bridges, radio/television masts, cable car and power line pylons, wind turbines, radar and telecommunication antennas and specifically for use in the petrochemical and oil industries.</p> <p>INERIS certificate, low consumption and high performance.</p> <p>Silicone O-RING gasket for protection IP66.</p> <p>Connection Direct to lamp holder L, N, Pe. Max section 4mm2.</p>
Materiali:	<p>Corpo STAINLESS STEEL 316, viteria in stainless steel, Vetro borosilicato resistente agli urti ed alle alte temperature sigillato nella ghiera in alluminio, gabbia in acciaio inox (se richiesta).</p>
Materials:	<p>Body STAINLESS STEEL 316, stainless steel hardware, Shock and temperature resistant borosilicate glass sealed with aluminium shade ring, stainless steel guard (on request).</p>



Stainless Steel 316



Specifica tecnica / Technical specification				
Tensione / Voltage	12-24 VAC/DC	48 VAC	48 VDC	98 - 264 VAC/DC
Corrente / Rated current	200mA		200mA	
Temperatura / Working temperature	-20°C +60°C			
Frequenza / Frequency	50/60HZ			
Assorbimento medio / Power middle	2W			
Lamp power / Effective Intensity	6J 29Cd			
Flash-minuto / Flash-minut	75 (other to be defined)			
Servizio / Service	Continuo / Continuous			
Colore corpo / Color body	Stainless steel natural / Other color on request			
Imbocchi / Cable entries	EVA50 1 x M25x1,5 - EVC50 2 x M25x1,5			



CODICE ORDINE - CODE ORDER				
	TIPO LAMPADA TYPE LAMP	TENSIONE VOLTAGE	COLORE GEMME COLORE SIGNALLING LAMP	COLORE CORPO COLOR BODY
EV... 50SS-ML	(A) EVA (C) EVC (K) EVA+KIT (P) EVC+POLE (W) EVC+WALL	12VAC/DC or 24VAC/DC 48VAC or 48VDC 110VAC or 110VDC 230VAC	(R) Red - (Y) yellow (A) orange - (G) green (BL) blue - (W) white	R) Red - (Y) yellow (A) orange - (G) green (BL) blue - (W) white (N) black

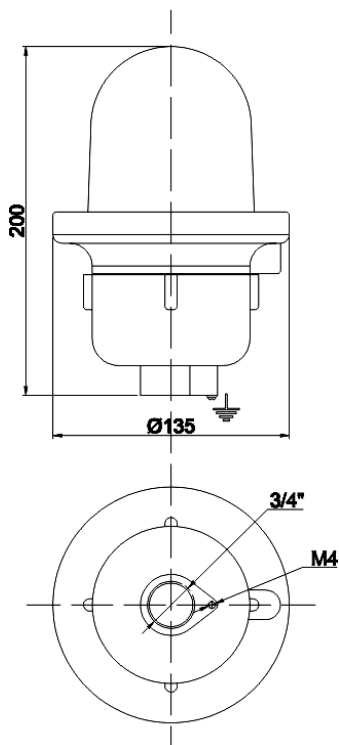
EXAMPLE / ESEMPIO
EV-C-50SS-ML-24VDC-R-N
 EVC50SS-ML VOLTAGE 24VDC
 COLOR LAMP RED COLORE BODY BLACK
 EVC50SS-ML TENSIONE 24VDC
 COLORE GEMMA ROSSA COLORE CORPO NERO



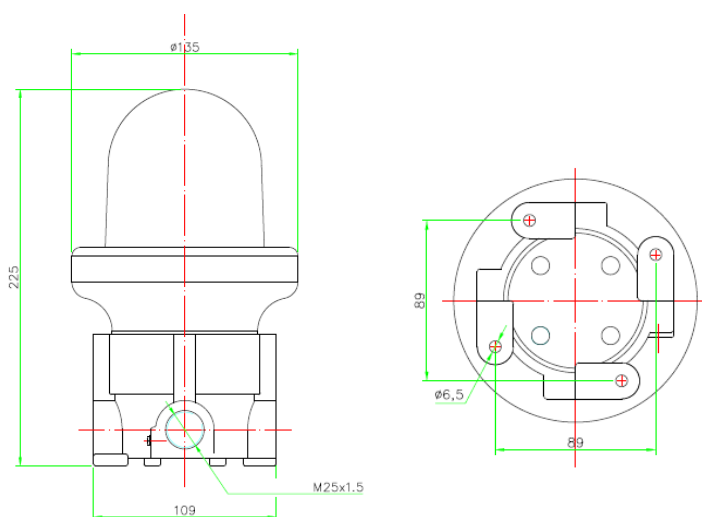
TIPICI DI MONTAGGIO TYPICAL MOUNTING



EVA50SS MONTAGGIO A SOSPENSIONE Suspended mounting



EVC50SS MONTAGGIO A SOFFITTO O PARETE Ceiling and wall mounting



**PER LAMPADE STAINLESS STEEL 316 INGRESSI M25x1,5
FOR BEACON STAINLESS STEEL 316 HUB M25x1,5**

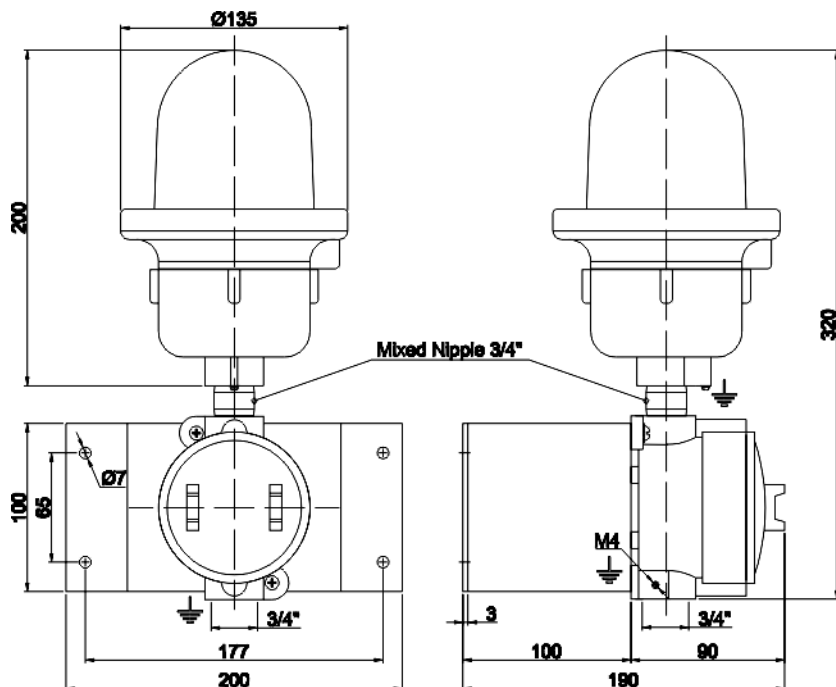


TIPICI DI MONTAGGIO TYPICAL MOUNTING



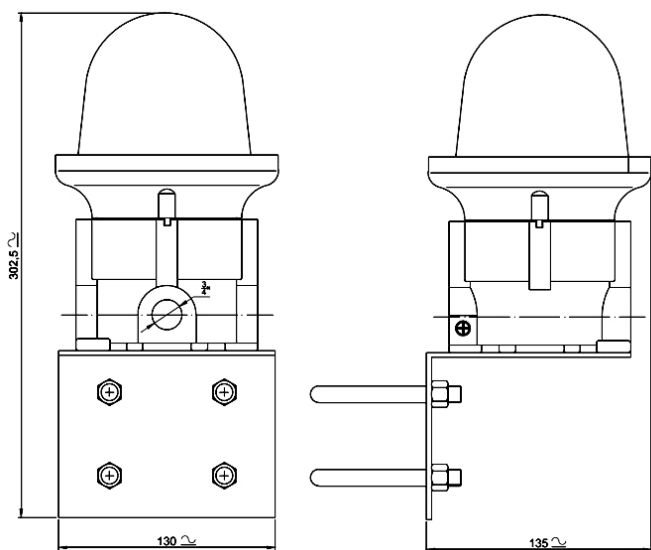
EVA50SS+KIT

KIT MONTAGGIO A PARETE
Kit typical wall mounting



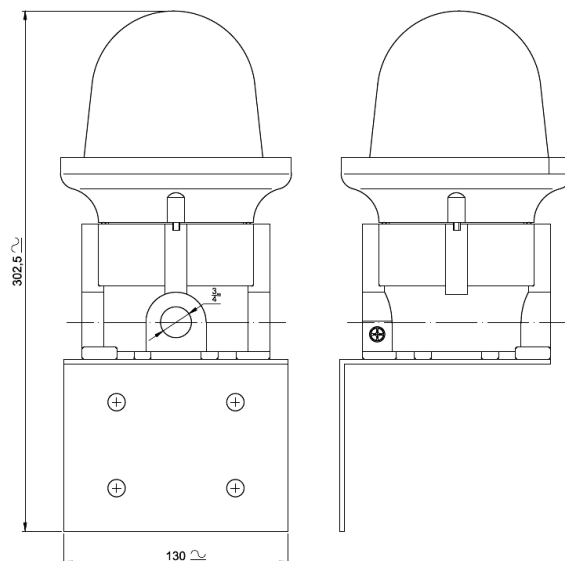
EVC50SS+POLE

KIT MONTAGGIO A PALO
Kit typical pole mounting



EVC50SS+WALL

KIT MONTAGGIO A PARETE
Kit typical wallmounting



**PER LAMPADE STAINLESS STEEL 316 INGRESSI M25x1,5
FOR BEACON STAINLESS STEEL 316 HUB M25x1,5**

