

ETH20MD-32

117 to 109 Db 1 mt.

Ex db IIB+H2 Gb Ex tb IIIC Db II2GD
or
Ex db IIC Gb Ex tb IIIC Db II2GD

T5
T100°C

-20°C
+60°C

SOUNDER/HORNS EXPLOSION PROOF
32 TONE SELECTABLE

zone 1 zone 2

DIRECTIVE 2014/34/UE

T6
T85°C

-20°C

SIRENA ELETTRONICA ANTIDEFLAGRANTE
32 SUONI SELEZIONABILI

zone 21 zone 22



IP66

+40°C

Caratteristiche:	Sirena elettronica a basso consumo energetico. Certificato ATEX a nuova normativa EN60079. I segnalatori acustici serie ETH sono impiegati in ambienti dove è necessario l'utilizzo di una segnalazione di allarme e dove è presente una potenziale atmosfera esplosiva. Le sirene serie ETH sono multifunzione e permettono di avvisare in caso di pericolo e in caso di evacuazione per la presenza di un incendio grazie a 32 differenti suoni selezionabili
Features:	Electronic Sounder low current consumption built. Certification ATEX with new standard EN60079. ETH series sirens are used in environments where a warning system is needed and where the atmosphere is potentially explosive. ETH sirens are multi-functional. The 32 different types of sound can be programmed to provide warning in the event of danger or evacuation in the case of fire.
Materiali:	Costruita in alluminio a basso contenuto di rame, provvista di circuito elettronico di modulazione ed unità di risonanza. Il suono è amplificato da una tromba esterna di tipo esponenziale in alluminio (a richiesta ACCIAIO INOX 316).
Materials:	Built in low copper content aluminium alloy, supplied with electronic modular circuit and resonance unit. The sound is amplified by an external exponential aluminium trumpet (on request STAINLESS STEEL 316).

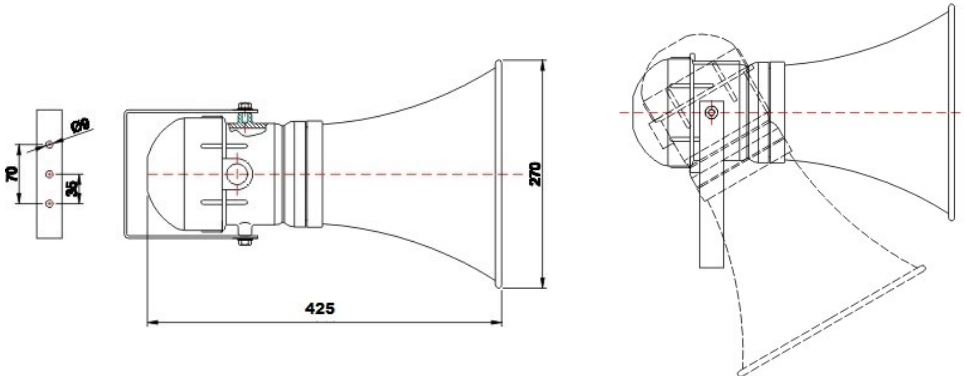
EN 60079-0 :2012/A11:2013 EN 60079-1 :2014 EN 60079-31 :2014

NEW DIRECTIVE 2014/34/UE



PESO / WEIGHT 3.8Kg	32 SUONI SELEZIONABILI 32 TONE SELECTABLE	
PROTEZIONE / PROTECTION IP66		
MONTAGGIO / MOUNTING STAFFA DI FISSAGGIO MOUNTING BRACKET		
SERVIZIO / SERVICE CONTINUO CONTINUOUS		
ACCESSORI A RICHIESTA ACCESSORIES ON REQUEST	STAFFA DI FISSAGGIO ACCIAIO INOX 316	MOUNTING BRACKET STAINLESS STEEL 316
	TROMBA ESTERNA ACCIAIO INOX 316	TRUMPET EXTERNAL STAINLESS STEEL 316
	VERNICIATURA EPOSSIDICA GIALLO - BLU GRIGIO - NERO	EPOXY COATING YELLOW - BLUE GREY - BLACK

Specifica tecnica / Technical specification						
CODICE / CODE: 32	ETH20MD/10/24	ETH20MD/10/48AC	ETH20MD/10/48DC	ETH20MD/10/115AC	ETH20MD/10/115DC	ETH20MD/10/230
Tensione / Voltage	24VAC/DC	48VAC	48VDC	115VAC	115VDC	230VAC
Corrente / Rated current	0,220A a 24V AC/DC					
Temperatura ambiente / Working temperature	T6: -20°C (-40°C) +40°C			T5: -20°C (-40°C) +60°C		
Colore / Color	EPOXY COATING RED RAL3000 - OTHER COLOR ON REQUEST					
Livello sonoro / Sound power	117 to 109 dB - 1 mt					
Imbocco / Cable entry	3/4"					
Dimensioni / Dimensions	Vedere dettagli / See detail					



Tono N°

DIP SWITCH

DIP1 DIP2 DIP3 DIP4 DIP5

1	0	0	0	0	0
2	1	0	0	0	0
3	0	1	0	0	0
4	1	1	0	0	0
5	0	0	1	0	0
6	1	0	1	0	0
7	0	1	1	0	0
8	1	1	1	0	0
9	0	0	0	1	0
10	1	0	0	1	0
11	0	1	0	1	0
12	1	1	0	1	0
13	0	0	1	1	0
14	1	0	1	1	0
15	0	1	1	1	0
16	1	1	1	1	0
17	0	0	0	0	1
18	1	0	0	0	1
19	0	1	0	0	1
20	1	1	0	0	1
21	0	0	1	0	1
22	1	0	1	0	1
23	0	1	1	0	1
24	1	1	1	0	1
25	0	0	0	1	1
26	1	0	0	1	1
27	0	1	0	1	1
28	1	1	0	1	1
29	0	0	1	1	1
30	1	0	1	1	1
31	0	1	1	1	1
32	1	1	1	1	1

WIRES NOT
CONNECTED

TABELLA TONI TONE TABLE



STAGE 2 **STAGE 3**



Description

STAGE 1 **Power**
dB

T 1	115 dB	Continuous 1000Hz Toxic Gas Alarm	T 31	T 11
T 2	114 dB	Alternating 800/1000Hz at 0.25s intervals	T 17	T 5
T 3	114 dB	Slow Whoop 500/1200Hz at 0.3Hz with 0.5s gap repeated	T 2	T 5
T 4	113 dB	Sweeping 800/1000 at 1Hz	T 6	T 5
T 5	112 dB	Continuous at 2400Hz	T 3	T 27
T 6	109 dB	Sweeping 2400/2900Hz at 7Hz	T 7	T 5
T 7	107 dB	Sweeping 2400/2900Hz at 1Hz	T 10	T 5
T 8	115 dB	Siren 500/1200/500Hz at 0.3Hz	T 2	T 5
T 9	114 dB	Sawtooth 1200/500Hz at 1Hz	T 15	T 2
T 10	111 dB	Alternating 2400/2900Hz at 2 Hz	T 7	T 5
T 11	114 dB	Intermittent 1000Hz at 0.5Hz General alarm	T 31	T 1
T 12	114 dB	Alternating 800/1000Hz at 0.875Hz	T 4	T 5
T 13	114 dB	Intermittent 2400Hz at 1Hz	T 15	T 5
T 14	115 dB	Intermittent 800Hz 0.25s on 1s off	T 4	T 5
T 15	116 dB	Continuous at 800Hz	T 2	T 5
T 16	111 dB	Intermittent 660Hz 150mS on, 150mS off	T 18	T 5
T 17	109 dB	Alternating 544Hz (100mS) / 440Hz (400mS)	T 2	T 27
T 18	111 dB	Intermittent 660Hz 1.8s on, 1.8s off	T 2	T 5
T 19	112 dB	1400Hz to 1600Hz sweep up over 1s 1600Hz to 1400Hz sweep down over 0,5s	T 2	T 5
T 20	113 dB	Continuous 660Hz	T 2	T 5
T 21	108 dB	Alternating 554/440Hz at 1Hz	T 2	T 5
T 22	112 dB	Intermittent 554Hz at 0.875Hz	T 2	T 5
T 23	114 dB	800Hz pulsing at 2 Hz	T 6	T 5
T 24	116 dB	Sweeping 800/1000Hz at 50Hz	T 29	T 5
T 25	110 dB	Sweeping 2400/2900Hz at 50Hz	T 29	T 5
T 26	111 dB	Simulated bell sound	T 2	T 1
T 27	110 dB	Continuous 554Hz	T 26	T 5
T 28	109 dB	Continuous 440Hz	T 2	T 5
T 29	116 dB	Sweeping 800/1000Hz at 7Hz	T 7	T 5
T 30	111 dB	420Hz repeating 0.62 5s on, 0.625s off Australian alert signal	T 32	T 5
T 31	116 dB	1200/500Hz at 1 Hz Prepare to Abandon Platform	T 11	T 1
T 32	117 dB	Sweeping 500/1200Hz 3.75s on, 0.25s off 15Hz	T 26	T 1