

UCS...G

zone 1	zone 2	Ex de II	II2GD	-40°C	T4 (130°C)	-20°C	T6 (80°C)
zone 21	zone 22	Ex e [ia] IIC	II2(1)GD	+80°C		+40°C	
		Ex ia IIC	II2GD			-40°C	T5 (95°C)
			IP66			+60°C	



EMERGENCY PUSH BUTTON WITH GLASS PROTECTION

PULSANTE DI EMERGENZA CON VETRO DI PROTEZIONE

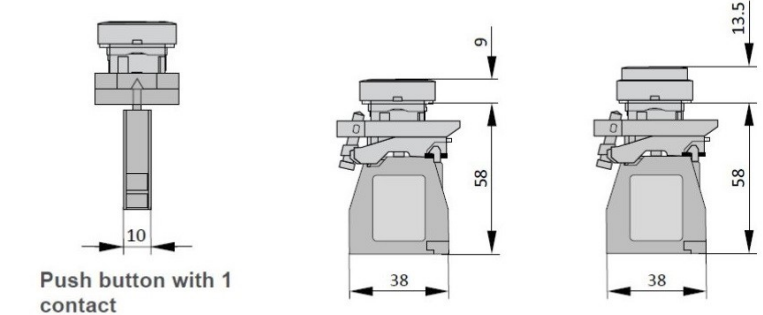
Caratteristiche: Pulsante d'allarme antincendio (UCS...G), protezione ATEX (Exde IIC) con martelletto per la rottura del vetro in caso di emergenza, oppure senza vetro e martelletto.
Il pulsante di allarme è fornibile in sedici modi di funzionamento:
1 - Automatico: (singola azione) I contatti si azionano automaticamente con la rottura del vetro.
2 o 11 - Manuale: (doppia azione) I contatti devono essere azionati premendo il pulsante dopo la rottura del vetro.
3 - Automatico: (doppia azione) I contatti si azionano automaticamente alzando lo sportello e con la rottura del vetro.
4 o 12 - Manuale: (triplo azione) I contatti devono essere azionati alzando lo sportello con la rottura del vetro e premendo il pulsante.
5 o 13 - Manuale: (singola azione) I contatti devono essere azionati premendo il pulsante (versione senza vetro).
6 o 14 - Manuale: (doppia azione) I contatti devono essere azionati alzando lo sportello e premendo il pulsante (versione senza vetro).
7 - Manuale: (doppia azione) I contatti devono essere azionati premendo il pulsante (push-push) dopo la rottura del vetro.
8 - Manuale: (triplo azione) I contatti devono essere azionati alzando lo sportello con la rottura del vetro e premendo il pulsante (push-push).
9 o 15 Manuale: (singola azione) I contatti devono essere azionati premendo il pulsante (push-push) (versione senza vetro).
10 o 16 Manuale: (doppia azione) I contatti devono essere azionati alzando lo sportello e premendo il pulsante (push-push) (versione senza vetro).

Features: Fire alarm station (UCS...G) ATEX (Exde IIC) model of protection, provided with hammer for breaking the glass in case of emergency, or without glass and hammer.
The fire alarm station is available in sixteen modes of operation:
1 - Automatic: (single action) The contacts are activated automatically with the breaking of the glass.
2 or 11 - Manual: (double action) The contacts must be operated by pressing the button after breaking the glass.
3 - Automatic: (double action) The contacts are activated automatically raising the flap and breaking of the glass.
4 or 12 - Manual: (triple action) The contacts must be operated raising the flap breaking the glass and pressing the button.
5 or 13 - Manual: (single action) The contacts must be operated pressing the button (version without glass).
6 or 14 - Manual: (double action) The contacts must be operated raising the flap and pressing the button (version without glass).
7 - Manual: (double action) The contacts must be operated by pressing the button (push-push) after breaking the glass.
8 - Manual: (triple action) The contacts must be operated raising the flap breaking the glass and pressing the button (push-push).
9 o 15 Manual: (single action) The contacts must be operated pressing the button (push-push) (version without glass).
10 o 16 Manual: (double action) The contacts must be operated raising the flap and pressing the button (push-push) (version without glass).

Specifica tecnica Technical specification	
Materiale Material	GRP
Dimensioni Dimension	110x110x85mm Altre dimensioni a richiesta Other dimension on request
Colore Color	Rosso (altri a richiesta) Red (other on request)
Temperatura Temperature	-20°C (-40°C) +40°C (+60°C) (+80°C)

Spring return, flush actuator	Spring return, projecting actuator	"Push-button" illuminated	COLORI DISPONIBILI COLOR AVAILABLE BIANCO - WHITE NERO - BLACK VERDE - GREEN ROSSO - RED GIALLO - YELLOW BLU - BLUE
"Push-push" to release, flush actuator	"Push-push" to release, projecting actuator		

Imbocchi Cable entries	1 gland M20 or M25 on request: 2 gland M20 or M25
-----------------------------------	---



**Features of the Contact 10 A
Caratteristiche dei contatti 10 A**

Ith = 10 A; Ui = 415 V
AC
 Ue = 380 V; Ie = 1,9 A or
 Ue = 240 V; Ie = 3 A or
 Ue = 120 V; Ie = 6 A
DC
 Ue = 250 V; Ie = 0,27 A or
 Ue = 125 V; Ie = 0,55 A or
 Ue = 24 V; Ie = 2,87 A

**ALTRE ESECUZIONI SPECIALI A RICHIESTA
OTHER SPECIAL EXECUTION ON REQUEST**



1
Contatti automatici
singola azione
*Automatic contact
single action*
**CON VETRO
WITH GLASS**

UCS-11G	1 NO
UCS-12G	1 NC
UCS-15G	1 NC + 1 NO
UCS-17G	2 NC
UCS-19G	2 NO
UCS-301G	1 NO + 2 NC
UCS-311G	1 NC + 2 NO
UCS-321G	3 NC
UCS-331G	3 NO

2
Contatti manuali
Doppia azione
*Manual contact
Double action*
**CON VETRO
WITH GLASS**

UCS-21G	1 NO
UCS-22G	1 NC
UCS-25G	1 NC + 1 NO
UCS-27G	2 NC
UCS-29G	2 NO
UCS-302G	1 NO + 2 NC
UCS-312G	1 NC + 2 NO
UCS-322G	3 NC
UCS-332G	3 NO

3
Contatti automatici
Doppia azione (LIFT FLAP)
*Automatic contact
Double action (LIFT FLAP)*
**CON VETRO
WITH GLASS**

UCS-31G	1 NO
UCS-32G	1 NC
UCS-35G	1 NC + 1 NO
UCS-37G	2 NC
UCS-39G	2 NO
UCS-303G	1 NO + 2 NC
UCS-313G	1 NC + 2 NO
UCS-323G	3 NC
UCS-333G	3 NO

4
Contatti manuali
Tripla azione (LIFT FLAP)
*Manual contact
Triple action (LIFT FLAP)*
**CON VETRO
WITH GLASS**

UCS-41G	1 NO
UCS-42G	1 NC
UCS-45G	1 NC + 1 NO
UCS-47G	2 NC
UCS-49G	2 NO
UCS-304G	1 NO + 2 NC
UCS-314G	1 NC + 2 NO
UCS-324G	3 NC
UCS-334G	3 NO

5
Contatti manuali
Singola azione
*Manual contact
Single action*
**SENZA VETRO
WITHOUT GLASS**

UCS-51G	1 NO
UCS-52G	1 NC
UCS-55G	1 NC + 1 NO
UCS-57G	2 NC
UCS-59G	2 NO
UCS-305G	1 NO + 2 NC
UCS-315G	1 NC + 2 NO
UCS-325G	3 NC
UCS-335G	3 NO

6
Contatti manuali
Doppia azione (LIFT FLAP)
*Manual contact
Double action (LIFT FLAP)*
**SENZA VETRO
WITHOUT GLASS**

UCS-61G	1 NO
UCS-62G	1 NC
UCS-65G	1 NC + 1 NO
UCS-67G	2 NC
UCS-69G	2 NO
UCS-306G	1 NO + 2 NC
UCS-316G	1 NC + 2 NO
UCS-326G	3 NC
UCS-336G	3 NO

7
Contatti manuali
Doppia azione
*Manual contact
Double action*
**CON VETRO
WITH GLASS**
pulsante (push-push)
button (push-push)

UCS-71G	1 NO
UCS-72G	1 NC
UCS-75G	1 NC + 1 NO
UCS-77G	2 NC
UCS-79G	2 NO
UCS-307G	1 NO + 2 NC
UCS-317G	1 NC + 2 NO
UCS-327G	3 NC
UCS-337G	3 NO

8
Contatti manuali
Tripla azione (LIFT FLAP)
*Manual contact
Triple action (LIFT FLAP)*
**CON VETRO
WITH GLASS**
pulsante (push-push)
button (push-push)

UCS-81G	1 NO
UCS-82G	1 NC
UCS-85G	1 NC + 1 NO
UCS-87G	2 NC
UCS-89G	2 NO
UCS-308G	1 NO + 2 NC
UCS-318G	1 NC + 2 NO
UCS-328G	3 NC
UCS-338G	3 NO

9
Contatti manuali
Singola azione
*Manual contact
Single action*
**SENZA VETRO
WITHOUT GLASS**
pulsante (push-push)
button (push-push)

UCS-91G	1 NO
UCS-92G	1 NC
UCS-95G	1 NC + 1 NO
UCS-97G	2 NC
UCS-99G	2 NO
UCS-309G	1 NO + 2 NC
UCS-319G	1 NC + 2 NO
UCS-329G	3 NC
UCS-339G	3 NO

10
Contatti manuali
Doppia azione (LIFT FLAP)
*Manual contact
Double action (LIFT FLAP)*
**SENZA VETRO
WITHOUT GLASS**
pulsante (push-push)
button (push-push)

UCS-101G	1 NO
UCS-102G	1 NC
UCS-105G	1 NC + 1 NO
UCS-107G	2 NC
UCS-109G	2 NO
UCS-4010G	1 NO + 2 NC
UCS-4110G	1 NC + 2 NO
UCS-4210G	3 NC
UCS-4310G	3 NO

11
Contatti manuali
Doppia azione
*Manual contact
Double action*
**CON VETRO
WITH GLASS**
Pulsante illuminato a led
Led illuminated Push button

UCS-111G	1 NO
UCS-112G	1 NC
UCS-115G	1 NC + 1 NO
UCS-117G	2 NC
UCS-119G	2 NO

12
Contatti manuali
Tripla azione (LIFT FLAP)
*Manual contact
Triple action (LIFT FLAP)*
**CON VETRO
WITH GLASS**
Pulsante illuminato a led
Led illuminated Push button

UCS-121G	1 NO
UCS-122G	1 NC
UCS-125G	1 NC + 1 NO
UCS-127G	2 NC
UCS-129G	2 NO

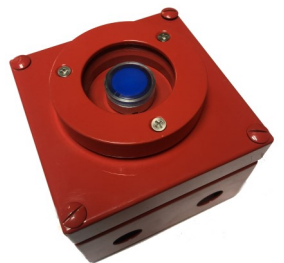
13
Contatti manuali
Singola azione
*Manual contact
Single action*
**SENZA VETRO
WITHOUT GLASS**
Pulsante illuminato a led
Led illuminated Push button

UCS-131G	1 NO
UCS-132G	1 NC
UCS-135G	1 NC + 1 NO
UCS-137G	2 NC
UCS-139G	2 NO

14
Contatti manuali
Doppia azione (LIFT FLAP)
*Manual contact
Double action (LIFT FLAP)*
**SENZA VETRO
WITHOUT GLASS**
Pulsante illuminato a led
Led illuminated Push button

UCS-141G	1 NO
UCS-142G	1 NC
UCS-145G	1 NC + 1 NO
UCS-147G	2 NC
UCS-149G	2 NO

ILLUMINATED BUTTONS



15
Contatti manuali Singola azione
Manual contact Single action
**SENZA VETRO
WITHOUT GLASS**
pulsante (push-push) projecting
button (push-push) projecting

UCS-151G	1NO	UCS-4015G	1NO+2NC
UCS-152G	1NC	UCS-4115G	1NC+2NO
UCS-155G	3NC	UCS-4215G	1NC+1NO
UCS-157G	2NC	UCS-4315G	3NO
UCS-159G	2NO		

16
Contatti manuali Doppia azione (LIFT FLAP)
Manual contact Double action (LIFT FLAP)
**SENZA VETRO
WITHOUT GLASS**
pulsante (push-push) projecting
button (push-push) projecting

UCS-161G	1NO	UCS-4016G	1NO+2NC
UCS-162G	1NC	UCS-4116G	1NC+2NO
UCS-165G	3NC	UCS-4216G	1NC+1NO
UCS-167G	2NC	UCS-4316G	3NO
UCS-169G	2NO		

**ALTRE ESECUZIONI SPECIALI A RICHIESTA
OTHER SPECIAL EXECUTION ON REQUEST**

ESEMPIO - EXAMPLE
Dimensione alternativa (170x110x85)
con LED e/o EOL e/o MORSETTIERA e/o SUNSHADE
Alternative dimension (170x110x85)
with LED and/or EOL and/or TERMINAL and or SUNSHADE



LED LIGHT

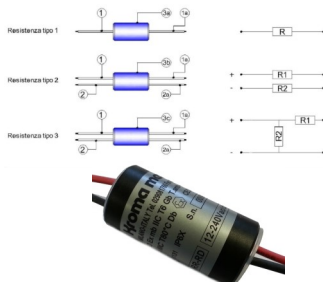
SUNSHADE

**EOL
RESISTOR**

LED PILOT LIGHT

LED LIGHTS
24V to 254 V AC/DC
2 to 10 mA

(W) WHITE	(G) GREEN
(R) RED	(Y) YELLOW
(B) BLUE	



**EOL
(CBR) RESISTOR
(CBD) DIODE
SERIES or PARALLEL**
12—240V AC/DC
MAX 4W (to be defined)

