

EVA50SS/FLASH 6J EVC50SS/FLASH 6J

zone 1

zone 2

Ex db IIC Gb Ex tb IIIC Db II2GD

T6
T 85°C

-20°C

zone 21

zone 22

DIRECTIVE 2014/34/UE

+60°C



LIGHTING FIXTURE
XENON FLASHING LAMP 6J

SEGNALATORE LUMINOSO
LAMPADA XENON 6J

IP66



Intensità luminosa
Effective Intensity
6J 29Cd

| | |
|-------------------------|--|
| Caratteristiche: | Segnalatore luminoso con lampada allo Xenon 6J ad elevato rendimento, sono idonee per la segnalazione ostacoli per camini, ciminiere, fiaccole, campanili, palazzi, gru, ponti, torri radiotelevisive, piloni di teleferiche e linee elettriche, generatori eolici, antenne radar e telecomunicazioni e, nello specifico, per il mondo dell'industria petrolchimica e petrolifera. Certificata INERIS, bassi consumi e durata illimitata. Guarnizione O-RING in silicone per protezione meccanica IP66. Connessione Direttamente al portalampana L, N, Pe. Sez. max. 4mm2. |
| Features: | Lighting fixtures with long-life xenon bulb 6J, are ideal for chimneys, towers, smokestacks, bell towers, buildings, cranes, bridges, radio/television masts, cable car and power line pylons, wind turbines, radar and telecommunication antennas and specifically for use in the petrochemical and oil industries. INERIS certificate, low consumption and high performance. Silicone O-RING gasket for waterproof protection IP66. Connection Direct to lamp holder L, N, Pe. Max section 4mm2. |
| Materiali: | Corpo STAINLESS STEEL 316L, viteria in stainless steel, Vetro borosilicato resistente agli urti ed alle alte temperature sigillato nella ghiera in alluminio, gabbia in acciaio inox (se richiesta). |
| Materials: | Body STAINLESS STEEL 316L, stainless steel hardware, Shock and temperature resistant borosilicate glass sealed with aluminium shade ring, stainless steel guard (on request). |



stainless Steel
316L

| Specifica tecnica / Technical specification | | | | | | |
|---|--|--------|--------|---------|---------|---------|
| Tensione / Voltage | 12-24 VAC/DC | 48 VAC | 48 VDC | 110 VAC | 110 VDC | 230 VAC |
| Corrente / Rated current | 100mA | | 40mA | | 20mA | |
| Frequenza / Frequency | 50/60HZ | | | | | |
| Assorbimento medio / Power middle | 2W | | 1,8W | | 4,5W | |
| Lamp power / Effective Intensity | 6J 29Cd | | | | | |
| Flash-minuto / Flash-minut | 75 (other to be defined) | | | | | |
| Servizio / Service | Continuo / Continuous | | | | | |
| Colore corpo / Color body | Stainless steel natural / Other color on request | | | | | |
| Imbocchi / Cable entries | EVA50SS 1xM25x1,5 EVC50SSS 2xM25x1,5 EVA50+KIT 1 or 2 or 3xM25 | | | | | |

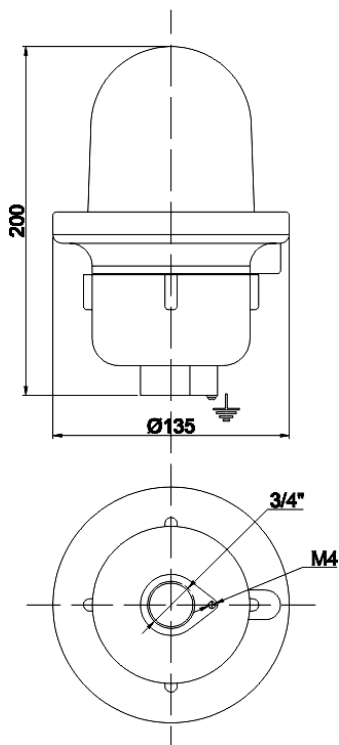
| CODICE ORDINE - CODE ORDER | | | | | EXAMPLE / ESEMPIO EV-C-50SS-6J-24VDC-R-N EVC50SS-6J VOLTAGE 24VDC COLOR LAMP RED COLORE BODY BLACK EVC50SS-6J TENSIONE 24VDC COLORE GEMMA ROSSA COLORE CORPO NERO |
|-------------------------------|---|---|---|--|---|
| TIPO LAMPADA TYPE LAMP | TENSIONE VOLTAGE | COLORE GEMME COLORE SIGNALLING LAMP | COLORE CORPO COLOR BODY | | |
| EV... 50SS-6J | (A) EVA (C) EVC (K) EVA+KIT (P) EVC+POLE (W) EVC+WALL 12VAC/DC or 24VAC/DC 48VAC or 48VDC 110VAC or 110VDC 230VAC | (R) Red - (Y) yellow (A) orange - (G) green (BL) blue - (W) white | R) Red - (Y) yellow (A) orange - (G) green (BL) blue - (W) white (N) black | | |



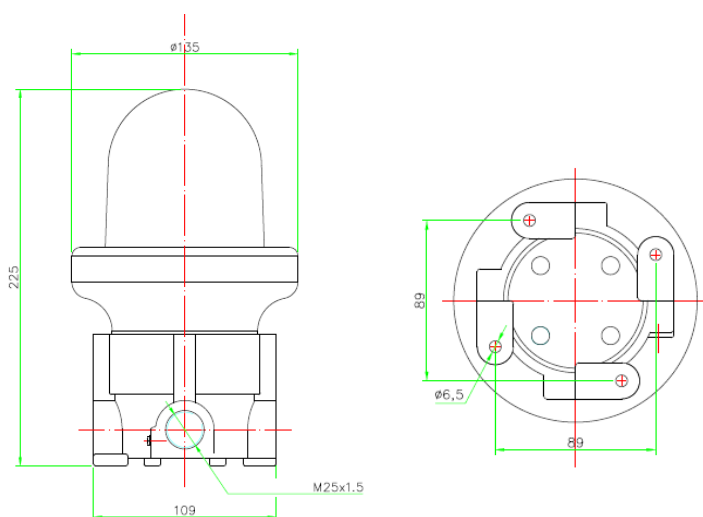
TIPICI DI MONTAGGIO TYPICAL MOUNTING



EVA50SS MONTAGGIO A SOSPENSIONE Suspended mounting



EVC50SS MONTAGGIO A SOFFITTO O PARETE Ceiling and wall mounting



**PER LAMPADE STAINLESS STEEL 316 INGRESSI M25x1,5
FOR BEACON STAINLESS STEEL 316 HUB M25x1,5**

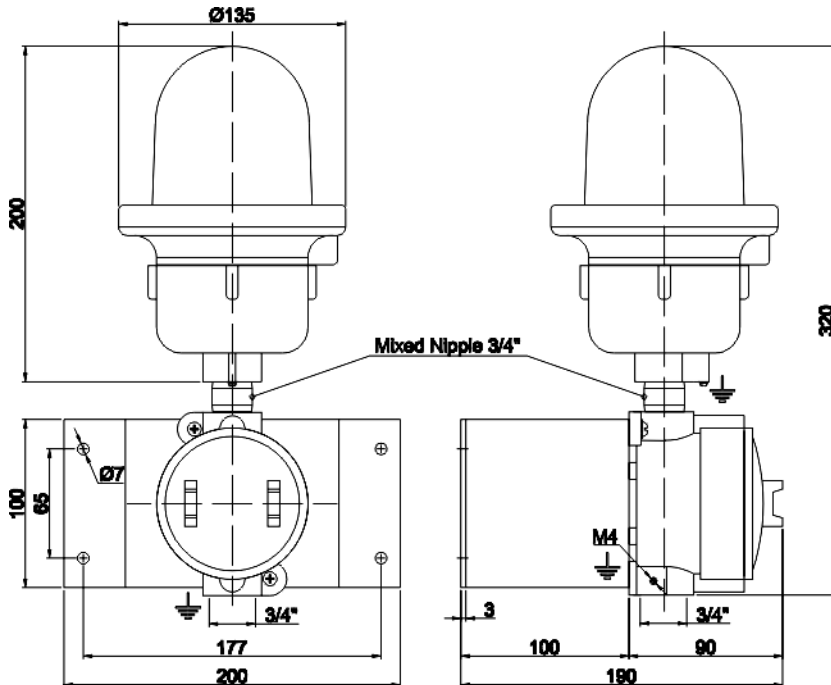


TIPICI DI MONTAGGIO TYPICAL MOUNTING



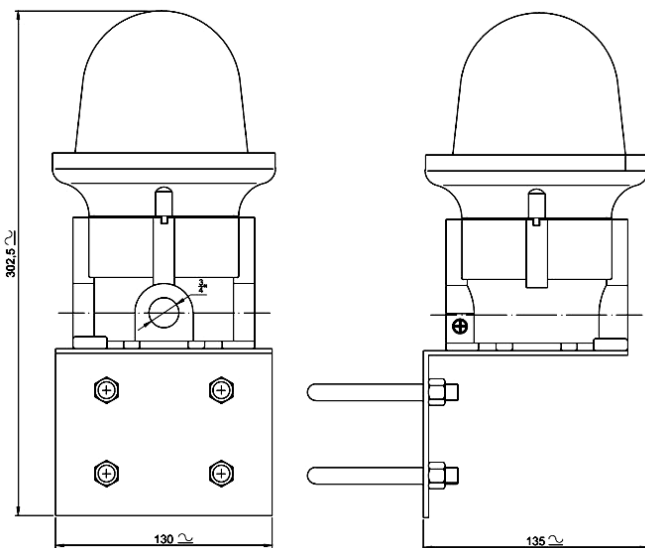
EVA50SS+KIT

KIT MONTAGGIO A PARETE
Kit typical wall mounting



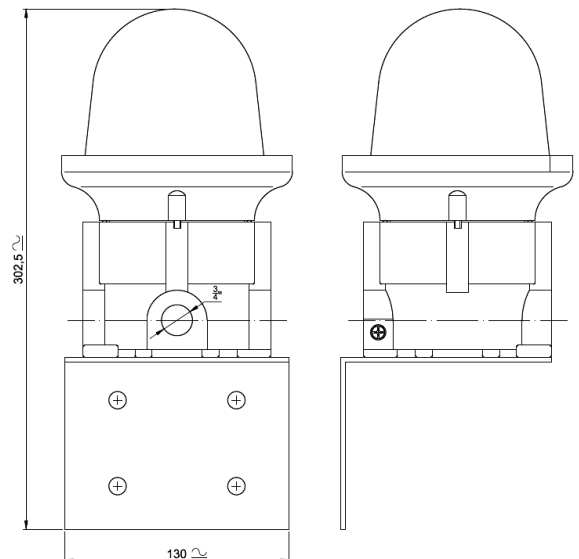
EVC50SS+POLE

KIT MONTAGGIO A PALO
Kit typical pole mounting



EVC50SS+WALL

KIT MONTAGGIO A PARETE
Kit typical wallmounting



**PER LAMPADE STAINLESS STEEL 316 INGRESSI M25x1,5
FOR BEACON STAINLESS STEEL 316 HUB M25x1,5**

