



zone 1 - zone 21

II2(1)GD Ex d [ia Ga] IIC Ex Gb Ex Tb [ia Ga] IIIC Db

-50°C

zone 2 - zone 22

II 2 GD Ex d IIC Gb Ex tb IIIC Db

+40°C

CASSETTE Exd IIC

T6

T5

IP66

-50°C

J.BOX Exd IIC

T 80°C

T 95°C



+55°C

Caratteristiche

Le custodie portastrumenti serie **GUB...-V** sono impiegate per alloggiare strumenti analogici e digitali quali amperometri e voltmetri. Possono essere forate e filettate sulle pareti su specifica del cliente.

The **GUB...-V** series instrument housings are used to seat analogue and digital instruments such as ammeters and voltmeters. The boxes can be drilled and threaded to the customer's specification.

Corpo e coperchio in lega di **alluminio esente da rame**

Body and cover are made of **copper-free aluminium alloy**

Parte frontale in vetro borosilicato

Front part in borosilicate glass

Viti di terra interne ed esterne in acciaio inox

Internal/external earth screws in stainless steel

Piedini per il fissaggio

Fixing lugs

Verniciatura epossidica Ral 7035

Ral 7035 epoxy coating

Telaio di fondo

Mounting plate

Verniciatura interna anticondensa

Anti-condensation internal coating

Valvola di sfiato e drenaggio

Drain and breather valve

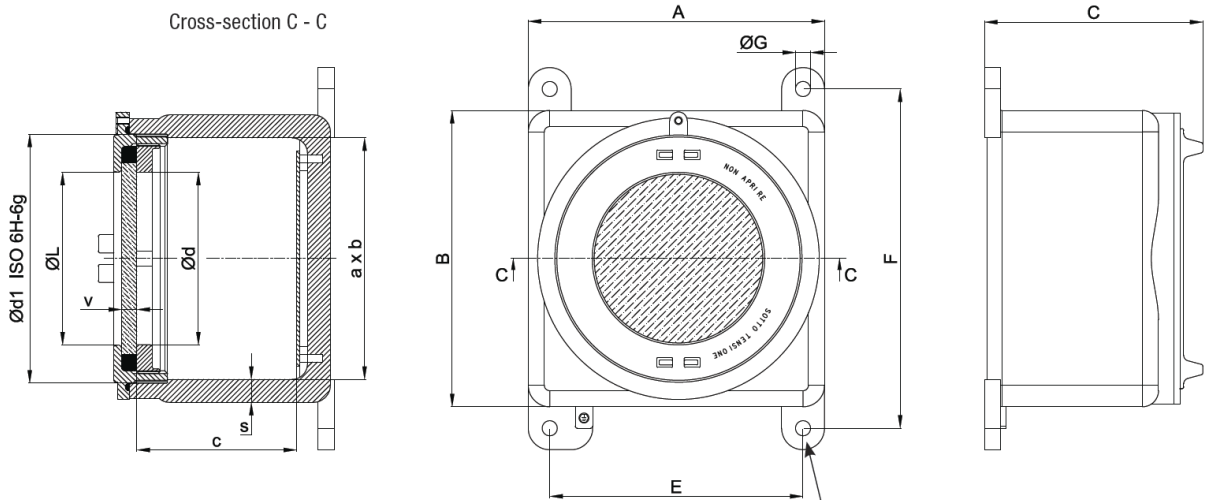
Strumenti a richiesta

Instruments on request



Codice Code	Dim. Est. (AxBxC) Outside dimension	Dim. Int. (axbxc) Inside dimensions	Ød	Ød1	s	v	ØL ØL	Mounting mm ExFxØG
GUB-0V	150 x 150 x 125	126 x 126 x 75	90	130x2	12	10	90	126x174x10
GUB-01V	174 x 174 x 136	146 x 146 x 85	104	150x2	12	10	90	154x195x210
GUB-02V	230 x 230 x 154	204 x 204 x 95	140	200x3	12	12	140	196x265x14
GUB-03V	276 x 276 x 200	250 x 250 x 140	180	250x3	12	15	180	236x316x14
GUB-04V	430 x 430 x 275	398 x 398 x 190	310	390x3	16	20	310	390x480x14

Cross-section C - C



2 feet for GUB-0V and GUB-01V
4 feet for GUB-02V, GUB-03V, GUB-04V

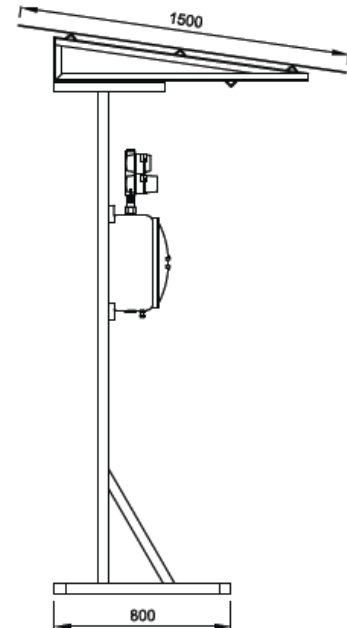
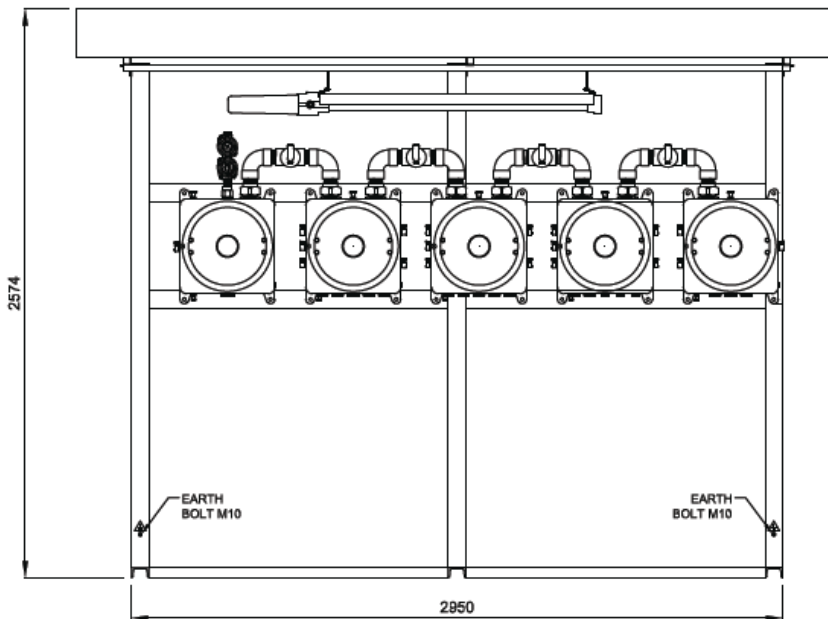
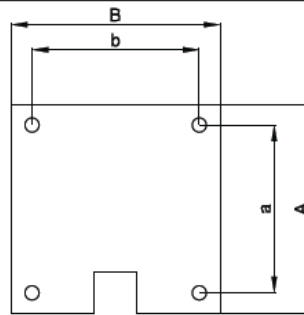


Kroma mec S.r.l.

TYPE OF ENCLOSURE	HOLE DRILLING IN BODY									
	One side									
	Drilling area mm	MAXIMUM QUANTITY PER HOLE TYPE								
1		2	3	4	5	6	7	8	10	
GUB	80x50	2	2	1	1	1	-	-	-	-
GUB-S	80x80	4	2	2	1	1	-	-	-	-
GUB-0	115x60	3	3	2	2	1	-	-	-	-
GUB-01	135x70	5	3	2	2	2	1	-	-	-
GUB-02	180x85	8	6	5	3	2	2	2	-	-
GUB-03	230x130	15	12	8	6	6	3	2	2	1
GUB-04	375x120	21	14	12	10	9	4	3	3	2
GUB-05	455x140	27	24	14	12	11	7	4	4	3

TYPE OF ENCLOSURE	MAXIMUM NUMBER OF TERMINALS HOUSED								
	TERMINAL CROSS-SECTIONAL AREA								
	2.5	4	6	10	16	35	70	120	185
GUB	10	9	7	6	-	-	-	-	-
GUB-S	10	9	7	6	-	-	-	-	-
GUB-0	18	16	9	7	6	-	-	-	-
GUB-01	21	15	11	9	7	5	-	-	-
GUB-02	2x22	2x19	2x15	2x12	2x10	6	-	-	-
GUB-03	2x32	2x27	2x22	2x17	2x14	8	-	-	-
GUB-04	3x40	3x30	2x28	2x23	2x18	12	10	6	4
GUB-05	4x50	4x44	4x35	4x26	4x22	2x17	2x12	2x8	7

Enclosures	Internal mounting plates				
	A	B	a	b	Code
GUB	80	80	60	48	TF
GUB-S	80	80	60	50	TF-S
GUB-0	100	100	80	60	TF-0
GUB-01	113	113	90	90	TF-01
GUB-02	150	150	130	130	TF-02
GUB-03	200	200	158	158	TF-03
GUB-04	315	315	230	230	TF-04
GUB-05	380	380	280	280	TF-05



Kroma mec S.r.l.